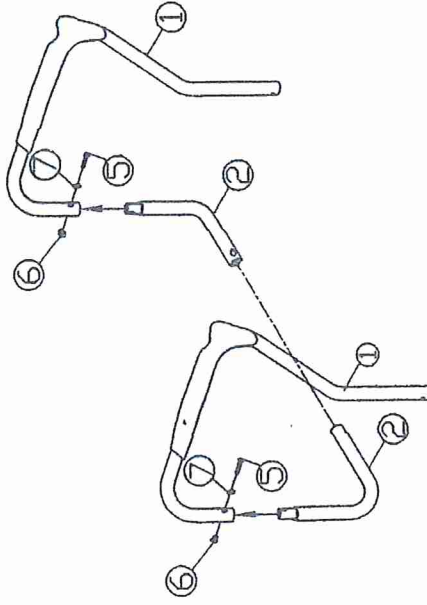
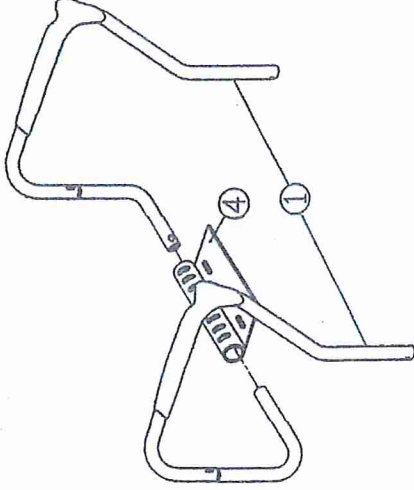


ADJUSTABLE TOILET SAFTEY FRAME ASSEMBLY INSTRUCTIONS
 Product number: P7260

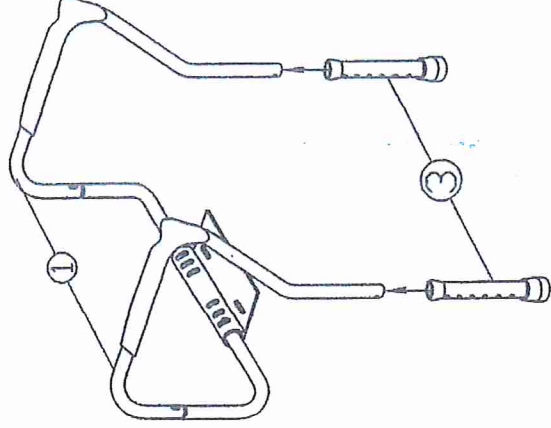


STEP 1:

Place the connect tube #2 into the side frame #1
 Insert the Bolt #5, the washer # 7
 Place the brass nut #6 over the screw
 Repeat for other side



Step 2: Place the side frame #1 into the B type tube
 Repeat on other side



STEP 3: Put the adjustable foot piece #3 into the side frame
 Repeat on other side

ITEM	DESCRIPTION	MATERIAL	QTY	REMARKS
1	SIDE FRAME ASSY	AL6063T5	2	ø 25.4X1.35X1105
2	CONNECT TUBE	AL6063T5	2	ø 25.4X1.35X370
3	FOOT TUBE	AL6063T5	2	ø 28.6X1.35X255
4	b TYPE TUBE	AL6063T5	1	ø 28.6XW72XL260
5	R TYPECARRIAGE SCREW	1018	2	M5 X 32
6	NUT	S1010	2	M6
7	R TYPE WASHER	A3	2	ø 16Xø 6.5XT1.0