
SAVE THESE INSTRUCTIONS

NOTE: Check ALL parts for shipping damage. If shipping damage is noted, DO NOT use. Contact Carrier/Dealer for further instruction.

Safety Summary

To ensure the safe and proper installation of the deluxe overbed table, these instructions **MUST** be followed:

⚠ WARNING

DO NOT install this equipment without first reading and understanding this instruction sheet. If you are unable to understand the warnings, cautions and instructions, contact a healthcare professional, dealer or technical personnel if applicable, before attempting to install this equipment - otherwise, injury or damage may occur.

ALWAYS check the overbed table for proper tightness before using.

PMI products are specifically designed and manufactured for use in conjunction with PMI Accessories designed by other manufacturers have not been tested by PMI and are not recommended for use with PMI products.

⚠ INSTALLATION WARNING

After any adjustments, repair or service and before use, make sure that all attaching component parts are secure.

Assembling the Overbed Table - Model 3037M

NOTE: For this procedure, refer to FIGURE 1 on page 2.

1. Invert the top board and place on floor.
2. Install the mast onto the top board with six mounting screws. Tighten securely.
3. Attach the base above the mast with the two bolts, washers, and inserts.
4. Install the four casters into the four holes provided in the base.
5. Flip the overbed table back to the upright position.

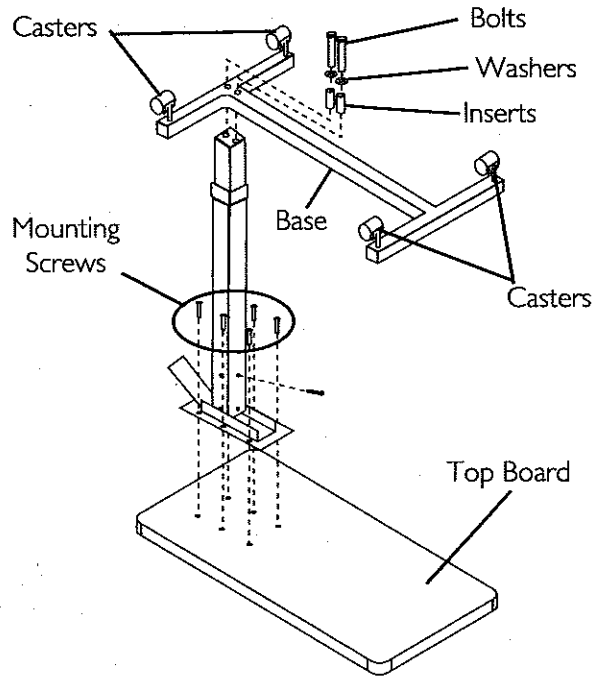


FIGURE 1 Assembling the Overbed Table - Model 3037M

Assembling the Overbed Table - Model 3037TM

NOTE: For this procedure, refer to FIGURE 2.

1. Invert the tilt-top board and place on the floor.
2. Attach the mast to the supporting bracket on the bottom of the tilt-top board with the bolt, washer, and nut.
3. Attach the base above the mast with the two bolts, washers, and inserts.
4. Install the four casters into the four holes provided in the base.
5. Flip the overbed table back to the upright position.

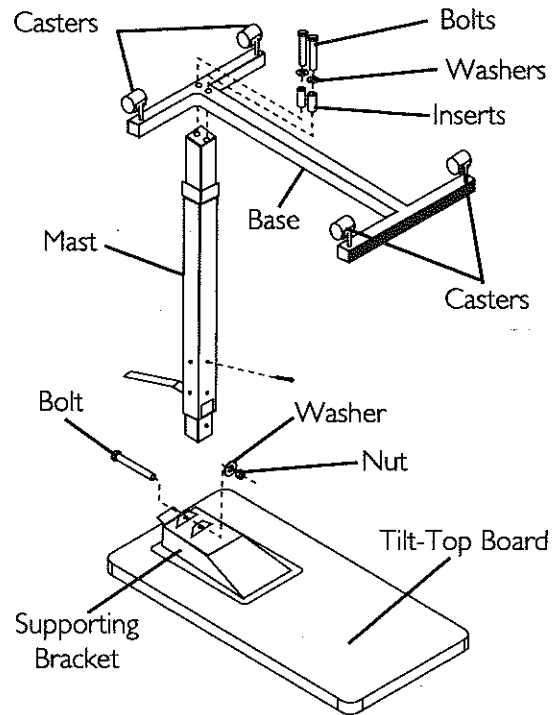


FIGURE 2 Assembling the Overbed Table - Model 3037TM

Operating the Overbed Table

NOTE: For this procedure, refer to FIGURE 3.

Adjusting Table Height

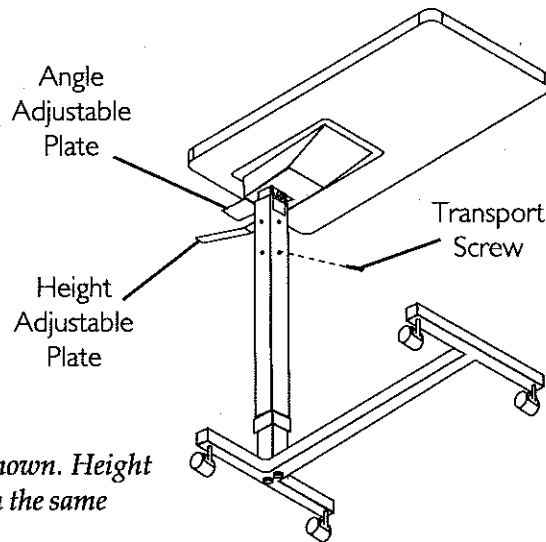
1. Remove the transport screw.
2. Squeeze the height adjustable plate upward.
3. Push or pull the table top to the desired height.

CAUTION

Before taking the table apart, adjust the table to the lowest position and replace the transport screw, so the mast is locked before being packed and shipped.

Adjusting Table Angle - Model 3037TM ONLY

1. Squeeze angle adjustable plate upward.
2. Tilt the table top down to the desired angle.



NOTE: Model 3037TM shown. Height adjustable plate is located in the same place on model 3037M.

FIGURE 3 Operating the Overbed Table - Adjusting Table Height - Adjusting Table Angle - Model 3037TM ONLY

LIMITED WARRANTY

PLEASE NOTE: THE WARRANTY BELOW HAS BEEN DRAFTED TO COMPLY WITH FEDERAL LAW APPLICABLE TO PRODUCTS MANUFACTURED AFTER JULY 4, 1975.

This warranty is extended only to the original purchaser/user of our products.

This warranty gives you specific legal rights and you may also have other legal rights which vary from state to state.

PMI warrants its product to be free from defects in materials and workmanship for one year for the original purchaser. If within such warranty period any such product shall be proven to be defective, such product shall be repaired or replaced, at PMI option. This warranty does not include any labor or shipping charges incurred in replacement part installation or repair of any such product. PMI's sole obligation and your exclusive remedy under this warranty shall be limited to such repair and/or replacement.

For warranty service, please contact the dealer from whom you purchased your PMI product. In the event you do not receive satisfactory warranty service, please write directly to PMI at the address on the back page. Provide dealer's name, address, model number, date of purchase, indicate nature of the defect and, if the product is serialized, indicate the serial number.

PMI will issue a return authorization. The defective unit or parts must be returned for warranty inspection using the serial number, when applicable, as identification within thirty days of return authorization date. DO NOT return products to our factory without our prior consent. C.O.D. shipments will be refused; please prepay shipping charges.

LIMITATIONS AND EXCLUSIONS: THE WARRANTY SHALL NOT APPLY TO PROBLEMS ARISING FROM NORMAL WEAR OR FAILURE TO ADHERE TO THE ENCLOSED INSTRUCTIONS. IN ADDITION, THE FOREGOING WARRANTY SHALL NOT APPLY TO SERIAL NUMBERED PRODUCTS IF THE SERIAL NUMBER HAS BEEN REMOVED OR DEFACED; PRODUCTS SUBJECTED TO NEGLIGENCE, ACCIDENT, IMPROPER OPERATION, MAINTENANCE OR STORAGE; OR PRODUCTS MODIFIED WITHOUT PMI EXPRESS WRITTEN CONSENT INCLUDING, BUT NOT LIMITED TO: MODIFICATION THROUGH THE USE OF UNAUTHORIZED PARTS OR ATTACHMENTS; PRODUCTS DAMAGED BY REASON OF REPAIRS MADE TO ANY COMPONENT WITHOUT THE SPECIFIC CONSENT OF PMI; PRODUCTS DAMAGED BY CIRCUMSTANCES BEYOND PMI'S CONTROL; PRODUCTS REPAIRED BY ANYONE OTHER THAN AN PMI DEALER, SUCH EVALUATION SHALL BE SOLELY DETERMINED BY PMI

THE FOREGOING WARRANTY IS EXCLUSIVE AND IN LIEU OF ANY OTHER EXPRESS WARRANTIES, IF ANY, INCLUDING THE IMPLIED WARRANTIES OF MERCHANTABILITY AND FITNESS FOR A PARTICULAR PURPOSE.

IT SHALL NOT EXTEND BEYOND THE DURATION OF THE EXPRESSED WARRANTY PROVIDED HEREIN AND THE REMEDY FOR VIOLATIONS OF ANY IMPLIED WARRANTY SHALL BE LIMITED TO REPAIR OR REPLACEMENT OF THE DEFECTIVE PRODUCT PURSUANT TO THE TERMS CONTAINED HEREIN. PMI SHALL NOT BE LIABLE FOR ANY CONSEQUENTIAL OR INCIDENTAL DAMAGES WHATSOEVER.

THIS WARRANTY SHALL BE EXTENDED TO COMPLY WITH STATE/PROVINCIAL LAWS AND REQUIREMENTS.



PMI, Inc. 15 South Main Street, 2nd Floor Marlboro, New Jersey 07746
www.pmiusa.biz